



31 Hedley Road
St Albans
Hertfordshire
AL1 5JL

t: +44 (0) 1727 830 151
f: +44 (0) 1727 855 993
e: info@camstage.com
w: www.camstage.com

General Specifications

T60 Track

Application

Medium duty track used in a wide range of stage and studio applications.

Finish

Black epoxy powder coat finish minimizing reflection.

Other colours and finishes available upon request.

Capacity

Wheeled runners 4kg capacity, one runner per 300mm of curtain length recommended.

Optional ball raced runners 6kg capacity.

Larger capacity carriers are available on request.

All T60 track systems and components have been load and destruction tested and function perfectly with a 50kg – imposed load, with only 2mm distortion over a 1.5m unsupported span.

Track forms / Configurations

Wide range of configurations using:

Straight: lengths 500mm - 3.00m.

Curved: sections from 0.5m radius.

Operation

Walk along, hand line, hand winch, or with Dynaglides curtain controller.

Rearfold systems options for hand or electric traverse systems.

Fixing Options

A wide range of fixing kits are available to support track from suitable structures. 1 fixing every 1.5mtrs is advised. The descriptions below are for standard fixing options. For specialised options please contact us with your requirements.

- Universal Clamp, used to support track from wooden joist, provides track attachment to other fixings via M10 stud.
- Face Fixing Bracket to fix track to adjacent wall or proscenium opening.
- Girder Fixing Clip to suspend track from steel girder widths between 75 and 150mm.
- Tube Fixing Clip to suspend track from horizontal pipe of 38, 48 or 60mm diameter.
- Deadline Suspension Hanger to suspend track directly from a suitable support via 4mm cable.
- Barrel Fixing Clip to suspend single track lengths directly below and parallel to barrel with 38, 48 or 60mm diameter.

Other Options

The T60 Track can be customized to suit your requirements and to accommodate most track shapes. For further options please contact us with your requirements.

- Scenery Carriers can be used to move significant loads on all stage tracking systems.
- Swivel Arm Carriers can be used to move and swivel curtain legs.

- Beam Track, T60 Track can be strengthened and flown with a motor unit by adding a beam to the spine.
- Switch Points to transfer systems between tracks are available in manual (remote or local control) or electric operation in a variety of track configurations.
- Diversions; All operating systems can be diverted using pulley systems to allow the control of your track to be positioned as required.

Please refer to our website: www.camstage.com for the current price list and COMPLETE TRACK KITS and all available components.

Figure 1

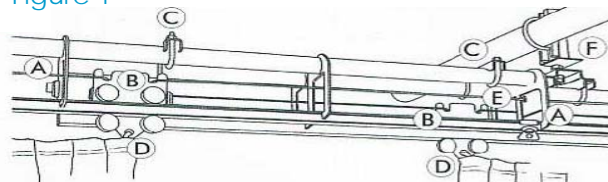


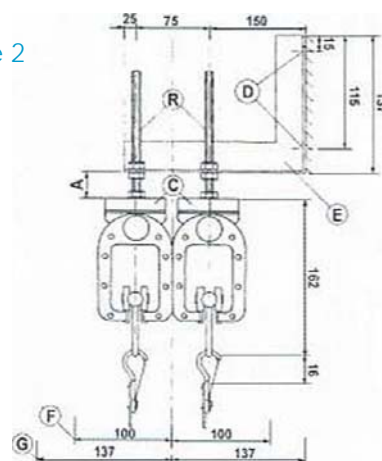
Figure 1 Key

A	Line Guides	01193
B	Wheeled Runner / Slider master straight tracks	03750
C	Overlap Clips	03291
D	Tabhook	03578
E	Stop Brackets	05730
F	Tube Fixing Clip 48mm	03136

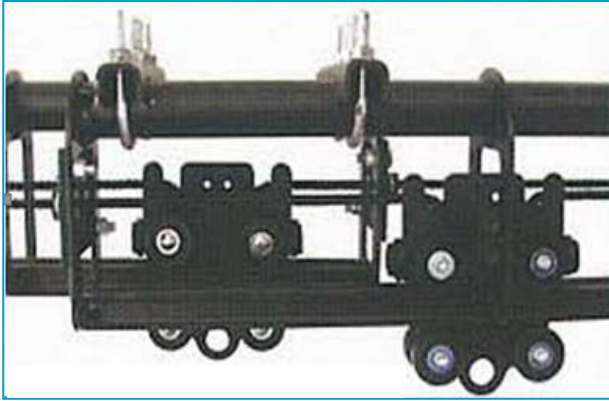
Figure 2 Key

A	Degrees of adjustment between 16mm–100mm
B	Stud Bolts 10mm dia in 150/300 lengths
C	Universal Fitting
D	10mm dia Bolt Holes
E	Face Fixing Bracket 150mm reach (inner track)
F	Recommended clearance for track
G	Recommended clearance for curtains

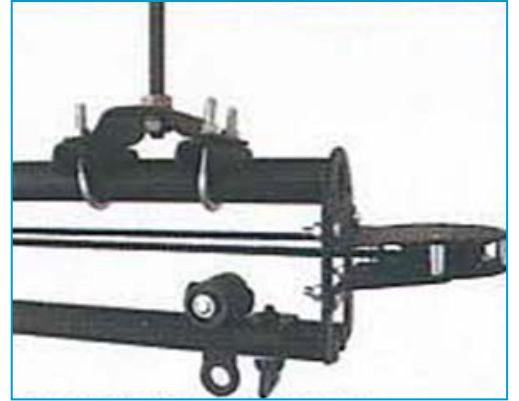
Figure 2



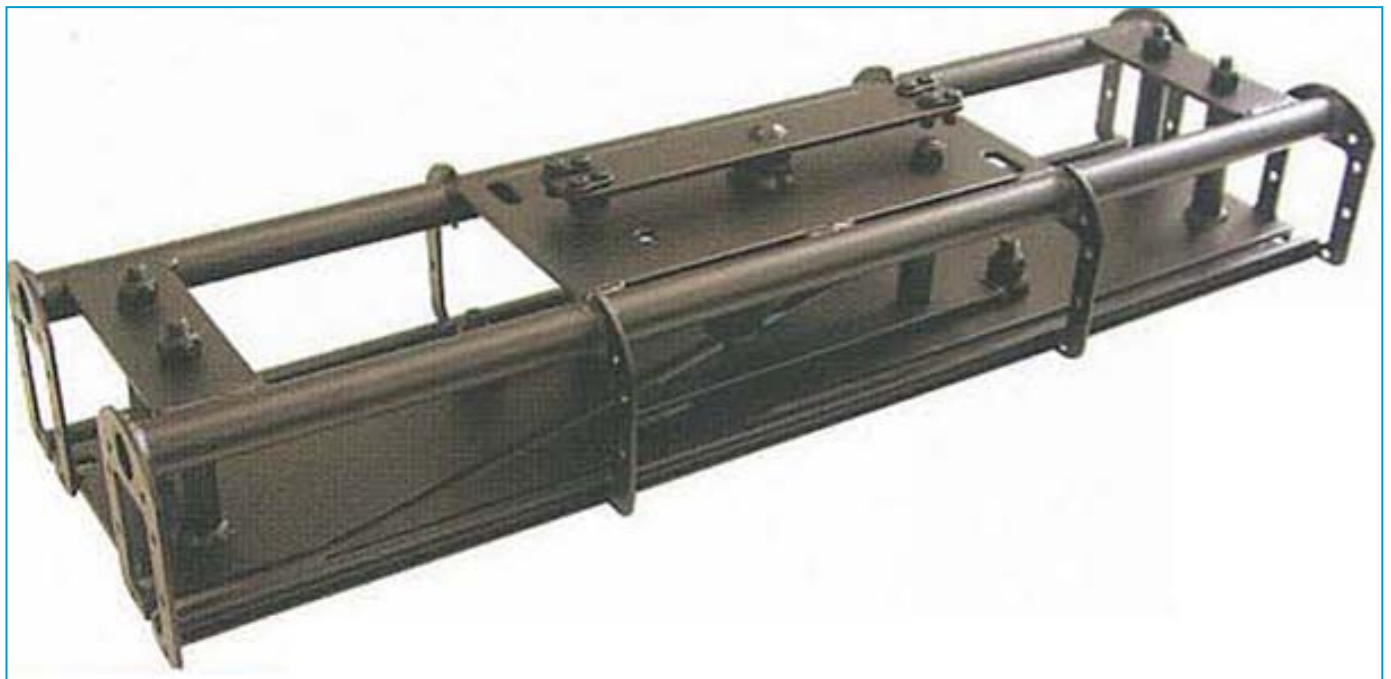
All dimensions in mm



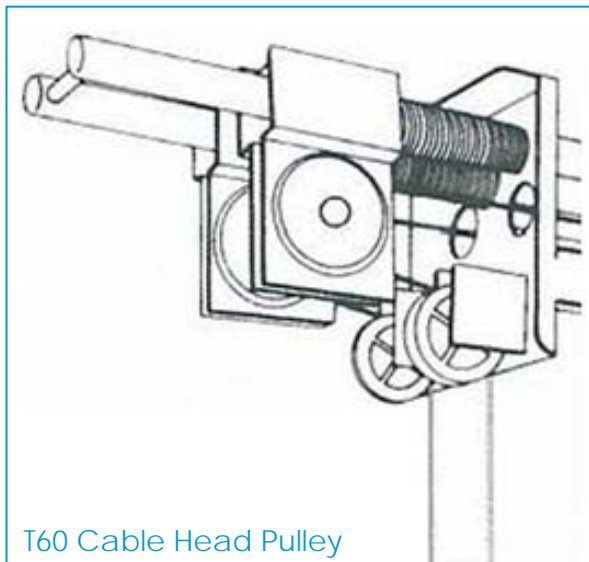
Master Carriers on overlap track



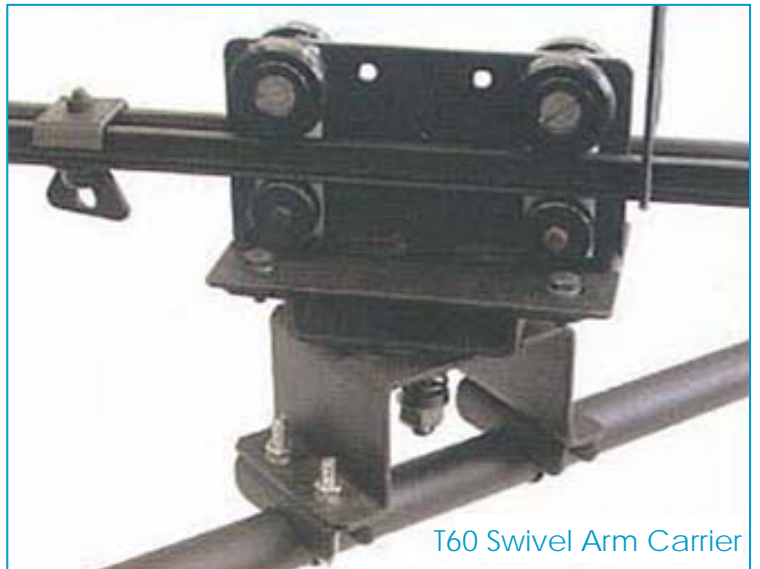
Return Pulley and End Stop



T60 Switch Points



T60 Cable Head Pulley



T60 Swivel Arm Carrier